



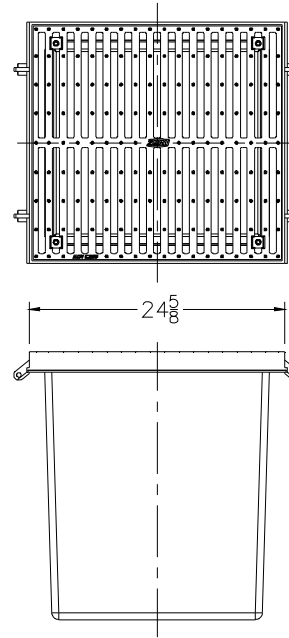
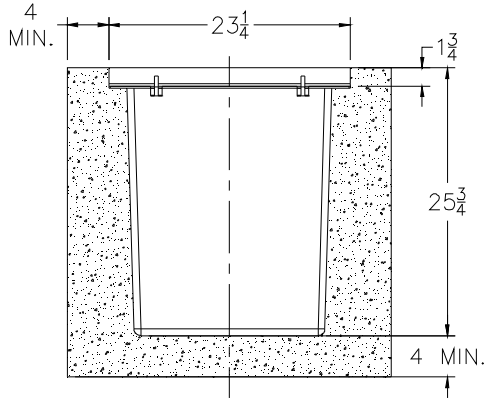
Z817-24

23-1/4 [591] WIDE REVEAL X
24-5/8 [625] LONG CATCH BASIN

TAG _____

Dimensional Data (inches and [mm]) are Subject to Manufacturing tolerances and Change Without Notice

SPECIFYING ENGINEER IS RESPONSIBLE FOR
CONCRETE ENCASEMENT AND REINFORCING
BASED UPON APPLICATION AND LOCAL CODES



ENGINEERING SPECIFICATION Zurn Z817-24

Catch Basin is 24 [610] wide reveal, 24-5/8 [625] long and 25-3/4 [654] deep. Catch basin is made of 0% water absorbent Fiber Reinforced Polyester (FRP) fiberglass. Catch basin mechanically lock into the concrete surround. Basin weighs less than 20 lbs. [9.1 kg]. Catch basin has rebar clips standard to secure basin in its final location. Basin is provided with standard DGC grate. Zurn 22-1/4 [565] wide reveal Ductile Iron Slotted Grate conforming to ASTM specification A536-84, Grade 80-55-06. Ductile Iron grate is rated class C per the DIN EN1433 top load classifications. Supplied in 24 [608] nominal lengths with 11/32 [9] wide slots, and 1-1/2 [38] bearing depth. Grate has an open area of 164.00 sq. in per ft. The .25 [6] thick Heavy-Duty Frame Assembly conforms to either ASTM specification A36 or A536-84, with 4 - 4 [102] long concrete anchors per basin. Frame is supplied with a powder coated finish. All welds must be performed by a certified welder per ASTM standard AWS D1.1.

PREFIX OPTIONS (Check/specify appropriate options)

- Z Fiber Reinforced Polyester (FRP) Fiberglass Body with Ductile Iron Grate - Class C*
- ZV Vinylester Fiberglass Body with Heavy-Duty Steel Frame and Ductile Iron Grate - Class C

SUFFIX OPTIONS (Check/specify appropriate options)

Outlet Adapters Add/Each

- E4/U4 4 [102] No-Hub End Outlet -IA Inlet Adapter (Z806)
- E6/U6 6 [152] No-Hub End Outlet -IA Inlet Adapter (Z812)
- E8/U8 8 [203] No-Hub End Outlet

Grate Options (Load Classifications are per DIN EN1433)

- DGC Ductile Iron Slotted Grate - Class C *
- DGF Ductile Iron Slotted Grate - Class F
- GDC Galvanized Ductile Slotted Grate - Class C
- GDF Galvanized Ductile Slotted Grate - Class F
- GG Fiberglass Grate - Class A

Miscellaneous Options

- CBF Black Acid Resistant Coated Frame
- FT Foul Air Trap
- GFA Galvanized Extra-Heavy-Duty Frame Assy. w/ Studs
- Y Sediment Bucket

MADE in the U.S.A. (Load Classifications are per DIN EN1433)

- FG Galvanized Steel Slotted Grate - Class A
- FS Fabricated Stainless Steel Slotted Grate - Class A
- PG Galvanized Steel Perforated ADA Grate - Class A
- PS Perforated Stainless Steel ADA Grate - Class A
- RFG-USA Reinforced Galvanized Steel Slotted Grate - Class B
- RFS-USA Reinforced Stainless Steel Slotted Grate - Class B
- RPG-USA Reinforced Galvanized Perforated ADA Grate - Class B
- RPGR-USA Reinforced Galvanized Perforated Reverse Punch Anti-Slip ADA Grate - Class B
- RPS-USA Reinforced Stainless Steel Perforated ADA Grate - Class B
- RPSR-USA Reinforced Stainless Steel Perforated Reverse Punch Anti-Slip ADA Grate - Class B

*REGULARLY FURNISHED UNLESS OTHERWISE SPECIFIED

REV. O	DATE: 05/03/12	C.N. NO. 124209
DWG. NO. 58069	PRODUCT NO. Z817-24	